

APXV3R13B_43-H APXV3R13B_43-H-A20

Features

- 2 ports / 1 system in high band (1710-2170 MHz), 33°
- Manual VET



PRODUCT OVERVIEW	Frequency Range (MHz)	(1x) 1710-2170
	Connector	1-2
		2 PORTS
	Polarization	XPOL
	Azimuth Beamwidth (avg)	33°
	Gain	19.4 dBi
	Electrical Downtilt	0-10°
Dimensions	1200 x 295 x 139 mm (47.2 x 11.6 x 5.5 in)	

ORDERING OPTIONS

Select from the following ordering options

ANTENNA MODEL NUMBER	CONFIGURATION	MOUNTING HARDWARE	MOUNTING PIPE DIAMETER	SHIPPING WEIGHT
APXV3R13B_43-H	Manual VET	APM50-BH Hose Clamp Included	65-115 mm (2.6-4.2 in)	19.1 kg (42.1 lbs)
APXV3R13B_43-H-A20	External RET	APM50-BH Hose Clamp Included	65-115 mm (2.6-4.2 in)	TBD



Quoted performance parameters are provided to offer typical, peak or range values only and may vary as a result of normal testing, manufacturing and operational conditions. Extreme operational conditions and/or stress on structural supports is beyond our control. Such conditions may result in damage to this product. Improvements to products may be made without notice.

APXV3R13B_43-H

APXV3R13B_43-H-A20

ELECTRICAL SPECIFICATIONS

■ B1

Frequency Range		MHz	1710-2170	
		MHz	1710-1880	1920-2170
Polarization		---	±45°	
Gain	Over all Tilts	dBi	19.1 ± 0.3	19.2 ± 0.2
	Max Gain	dBi	19.4	19.4
Azimuth Beamwidth (3 dB)		degrees	31.7° ± 1.8°	28.2° ± 1.5°
Elevation Beamwidth (3 dB)		degrees	8.3° ± 0.5°	7.5° ± 0.5°
Electrical Downtilt		degrees	0-10°	
Impedance		Ohms	50Ω	
VSWR (Return Loss)		---	1.5:1 (-14 dB)	
Passive Intermodulation		dBc	-150 (3rd Order for 2x20 W Carriers)	
Front-to-Back Ratio, Total Power, ± 30°		dB	28.8	29.9
First Upper Side Lobe Suppression		dB	19.3	17.5
Cross Polar Discrimination Over Sector		dB	6.6	10.1
Cross Polar Discrimination (XPD) at Mechanical Boresight (0°)		dB	21.8	21.8
Maximum Effective Power Per Port		Watts	250 W	
Cross Polar Isolation		dB	28	

Specifications follow BASTA guidelines.

APXV3R13B_43-H
APXV3R13B_43-H-A20

BOTTOM VIEW - LABELING



ARRAY LAYOUT

ARRAY	FREQUENCY	CONNECTOR	CONNECTOR TYPE
■ B1	1710-2170 MHz	1-2	(2x) 4.3-10 Female



The illustration is not shown to scale.

Quoted performance parameters are provided to offer typical, peak or range values only and may vary as a result of normal testing, manufacturing and operational conditions. Extreme operational conditions and/or stress on structural supports is beyond our control. Such conditions may result in damage to this product. Improvements to products may be made without notice.

APXV3R13B_43-H APXV3R13B_43-H-A20

MECHANICAL SPECIFICATIONS

Length	mm (in)	1200 (47.2)
Width	mm (in)	295 (11.6)
Depth	mm (in)	139 (5.5)
Net Weight - Antenna Only	kg (lbs)	15 (33.1)
Net Weight - Mounting Hardware Only	kg (lbs)	0.1 (0.2)
Wind Load Rated at 150 km/h (93 mph)	Front	N (lbf) 427 (96)
	Side	N (lbf) 176 (40)
	Rear	N (lbf) 509 (114)
Survival Wind Speed / Rated Wind Speed	km/h (mph)	200 (150)
Connector Type	--	(2x) 4.3-10 Female at Bottom
Radome Color	---	Light Grey RAL7035
Radome Material	---	UPVC
Lightning Protection	---	Direct Ground
Shipping	Packing Size (Length x Width x Depth)	mm (in) 1465 x 400 x 240 (57.7 x 15.7 x 9.4)
	Shipping Weight	kg (lbs) 19.1 (42.1)

ENVIRONMENTAL SPECIFICATIONS

Environmental Standard	---	ETS 300 019
Operating Temperature	degrees	-40° to +60° C (-40° to +140° F)
Product Environmental Compliance	---	Product is RoHS Compliant

APXV3R13B_43-H

APXV3R13B_43-H-A20

ACCESSORIES Accessories may be ordered separately unless otherwise indicated.

ITEM	MODEL NUMBER
Hose Clamp Mounting Bracket Kit for Pole Diameter 65-115 mm (2.6-4.2 in) <i>Shipped with antenna</i>	APM50-BH

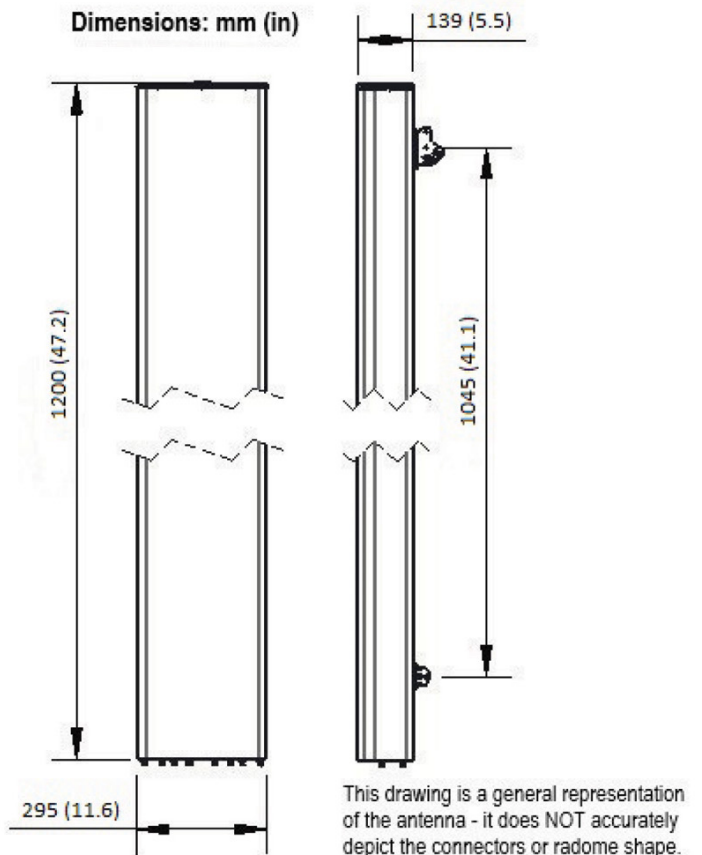
INSTALLATION Please read all installation notes before installing product.



- Always attach the antenna using all mounting points.
- Do not install antenna with the connectors facing upwards.

EXTERNAL DOCUMENT LINKS

[APM50 Mounting Kit Series Installation Instructions](#)



NOTES

- Specifications follow BASTA guidelines.
- For additional mounting information, please check **External Document Links**.
- For Radiating Patterns: [Request pattern files](#)

Quoted performance parameters are provided to offer typical, peak or range values only and may vary as a result of normal testing, manufacturing and operational conditions. Extreme operational conditions and/or stress on structural supports is beyond our control. Such conditions may result in damage to this product. Improvements to products may be made without notice.